

TME low temperature cut-out thermostat

To be fitted between the coil fins. When connecting the control, the TME probe cable must be separated from the power supply wires.

To be used with the following controls:

CB-C, WM-TQR, WM-AU, T-MB, and corresponding IAQ controls.

It stops the fan when the water temperature is lower than 38°C and it starts the fan when is higher than 42°C.

VERSION	CRC / CRR
MODEL	MV - MO - MVB - IV - IO
CODE	3021091



TMM low temperature cut-out thermostat

To be installed in contact with the hot water circuit.

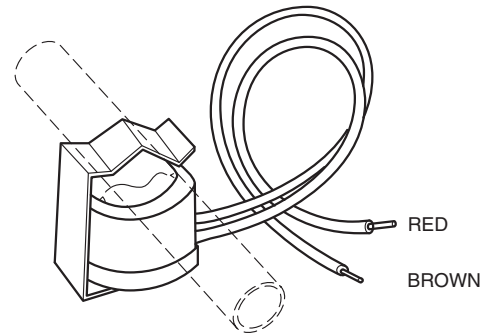
To eliminate cold air blow. Installed by the installing engineer.

To be used with the following controls: CB, CB-T, CB-IAQ and WM-T.

For units working on heating only.

It stops the fan when the water temperature is lower than 30°C and it starts the fan when is higher than 38°C.

VERSION	CRC / CRR
MODEL	MV - MO - MVB - IV - IO
CODE	9053048



NTC low temperature cut-out thermostat

To be fitted between the coil fins.

When connecting the control, the NTC probe cable must be separated from the power supply wires.

To be used with CB-AUT control.

It stops the fan when the water temperature is lower than 28°C and it starts the fan when is higher than 33°C.

VERSION	CRC / CRR
MODEL	MV - MO - MVB - IV - IO
CODE	3021090



Change-Over CH 15-25

Automatic summer/winter switch

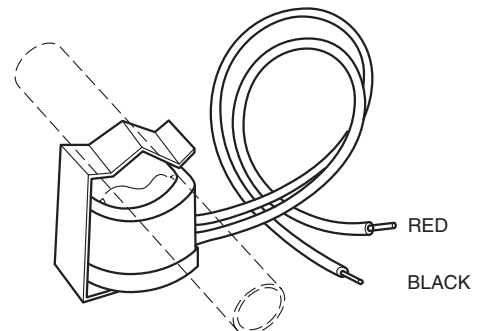
to be installed in contact with the water circuit.

For 2-tube installations only (not to be used with 2 way valve).

To be used with the following controls:

CB-C, CB-AUT, WM-TQR, WM-AU and T-MB.

VERSION	CRC / CRR
MODEL	MV - MO - MVB - IV - IO
CODE	9053049



T2 sensor to be placed on the water supply pipe upstream 3 way valves (not to be used with 2 way valve).

The T2 sensor must be used as described below:

- Change-Over for the automatic switch of the operating mode. If water temperature is lower than 20°C, cooling mode is set; on the other hand, if water temperature exceeds 30°C, heating mode is set.
- It can be used on units with electric heater and hot water supply. The T2 priority probe activates the electric heater or water valve, depending on the water temperature detected. If water temperature exceeds 34°C, the water valve ON-OFF control is activated; on the other hand, if water temperature is lower than 30°C, the electric heater is activated.

To be used with the following controls WM-AU and T-MB.

VERSION	CRC
MODEL	MV - MO - MVB - IV - IO
CODE	9025310

